

bonaVITA[®]

Exceptional Brew

8-cup auto shut off coffee maker

Model: BV1800



Customer assistant line:

USA 1-855- 664 -1252

Thank you for purchasing this Bonavita appliance.

HOUSEHOLD USE ONLY

2 year limited warranty

IMPORTANT SAFEGUARDS

When using electrical appliances, basic safety precautions should always be followed to prevent the risk of fire, electric shock, burns, or other injuries or damages

- **Read all operating and safety instructions carefully.**
- Do not touch hot surfaces. Use handles or knobs.
- To protect against fire, electrical shock and injury to persons do not immerse cord, plugs or the appliance in water or other liquids.
- Unplug from outlet when not in use and before cleaning. Allow it to cool before putting on or taking off parts and before cleaning the appliance.
- Close supervision is necessary when any appliance is used by or near children.
- Do not operate appliance with a damaged cord or plug, or after the appliance malfunctions or has been dropped or damaged in any manner. Call our toll-free customer assistance number for information on examination, repair, or adjustment.
- The use of accessory attachments not recommended by the appliance manufacturer may result in fire, electric shock or injure to persons.
- Do not use outdoors or in a damp area.
- Do not let cord hang over edge of table or counter, or touch hot surfaces.
- Do not place on or near a hot gas or electric burner, or in a heated oven.
- To disconnect the appliance, turn control to "off", then remove plug from the wall outlet.
- Take off the carafe lid before brewing.
- Do not use this appliance for anything other than its intended use.
- Place the appliance on a flat surface.
- Do not operate the appliance without water.
- Do not use hot water. Only fresh cold water should be used to fill the water tank.
- Do not remove the carafe or filter basket while brewing cycle – risk of scald!
- Do not use a cracked carafe or the carafe having a loose or weakened handle.
- Do not clean carafe with cleansers, steel wool pads, or other abrasive material.
- Do not touch the warming plate when the coffee maker is on.
- Do not set a hot carafe on a wet or a cold surface.
- Never leave the empty carafe on the warming plate when the coffee maker is on. The carafe could crack if no liquid inside and left on warming plate.
- **WARNING:** To reduce the risk of fire or electric shock, do not remove the bottom cover on the appliance. No user serviceable parts inside. Call our toll-free customer assistance number for repair.
- The carafe is designed for use with this appliance. It must never be used on a range top.
- Do not place the appliance on a hot surface (e.g. cooker)
- Make sure that the voltage in your home corresponds with the voltage indicated on the bottom of the appliance.
- Pull the plug out of the socket before cleaning or in case of absence for a longer time.

SAVE THESE INSTRUCTIONS!

ADDITIONAL SAFEGUARDS

This appliance is for **HOUSEHOLD USE ONLY**

DO NOT OPERATE APPLIANCE IF THE LINE CORD SHOWS ANY DAMAGE OR IF APPLIANCE WORKS INTERMITTENTLY OR STOPS WORKING ENTIRELY.

EXTENSION CORDS

A short power-supply cord is to be provided to reduce the risk resulting from becoming entangled in or tripping over a longer cord. Longer detachable power-supply cords or extension cords are available and may be used if care is exercised in their use. If a longer detachable power-supply cord or extension cord is used,

- 1) The marked electrical rating of the cord set or extension cord should be at least as great as the electrical rating of the appliance, and
- 2) The longer cord should be arranged so that it will not drape over the countertop or tabletop where it can be tripped over, snagged, or pulled on unintentionally (especially by children).

POLARIZED PLUG

This appliance has a polarized plug (one blade is wider than the other). To reduce the risk of electric shock, this plug is intended to fit into a polarized outlet only one way. If plug does not fit fully into the outlet, reverse the plug. If it still does not fit, contact a qualified electrician. Do not attempt to modify the plug in any way.

Coffee quality has been improving by leaps and bounds in the past decade. A new generation of coffee roasters from coast to coast is coming of age; they are incentivizing farmers and putting them front and center, not hiding them in homogenized blends. I am thrilled to be one of them! We are creating new standards for freshness all the way from the farm to the home. And we are demanding better brewing to prove how great our coffees are- in cafes and in homes. The Bonavita answers that call for home brewing.

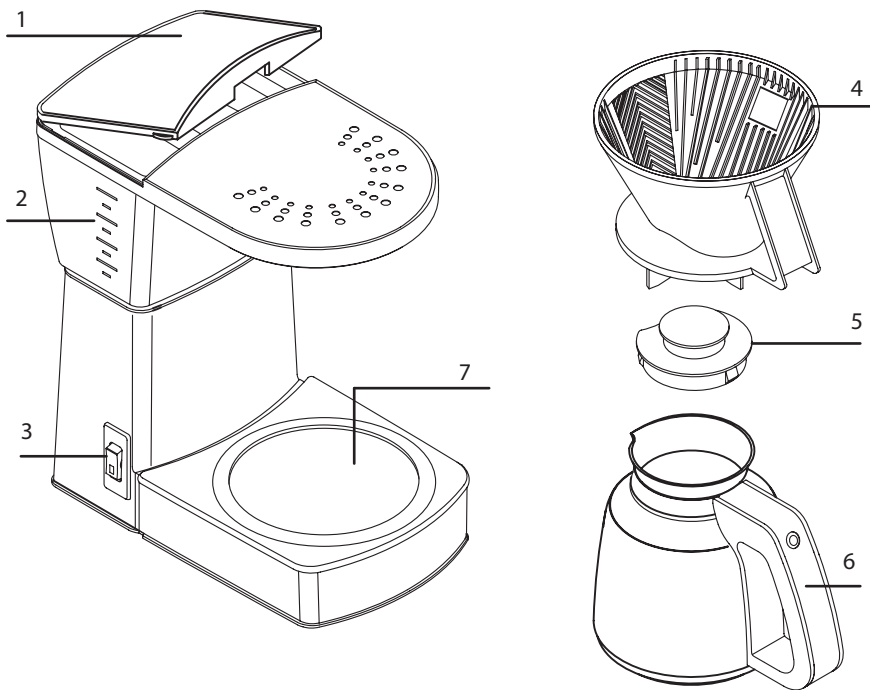
At last! A simple, reasonably priced, smartly compact drip coffee brewer which belies its power and accuracy. The water temperature is hot enough to extract all the nuances found in fine coffees. The showerhead provides enough turbulence and coverage so the coffee grounds are saturated. The Bonavita comes with glass carafe or a stainless, very conveniently designed thermos. Time for simplicity with pinpoint sureness. Enjoy!

George Howell

- Founder and CEO of George Howell Coffee and Terroir Coffee (2004 -)
- Founder and CEO of The Coffee Connection (1975 - 1994)
- Specialty Coffee Association of America Lifetime Achievement Award 1996
- Specialty Coffee Association of Europe Better Coffee World Award 2007



COFFEE MAKER DIAGRAM



- 1. Water tank lid
- 2. Water level indicator
- 3. I/O switch, auto shut off 1.5 hours after brew cycle begins
- 4. Filter basket
- 5. Carafe lid
- 6. Carafe
- 7. Non-stick keep warm plate

TECHNICAL DATA

Rated voltage:	AC 120V, 60Hz
Rated current:	12.12A
Rated power input:	1455W

OPERATIONS

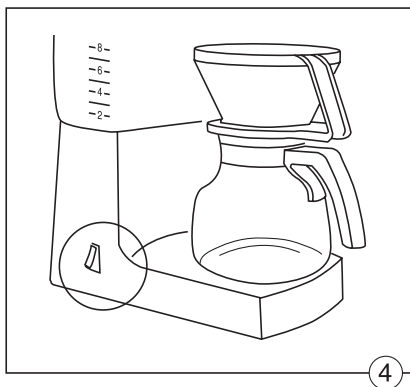
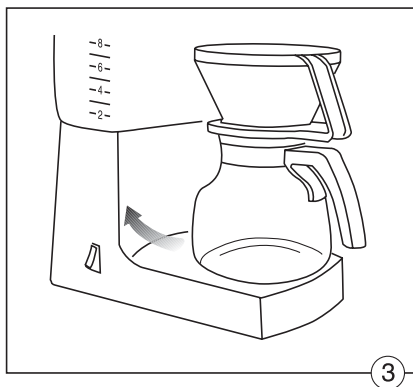
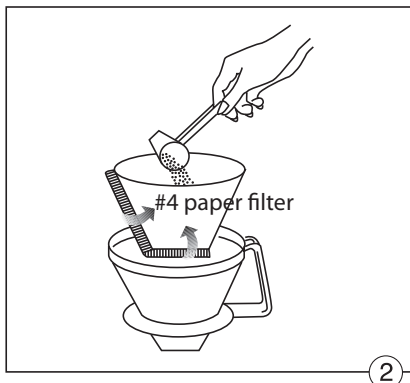
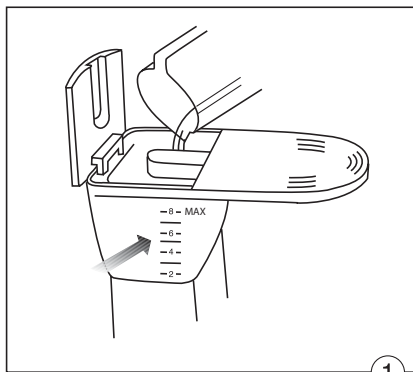
Before first use

- Remove packaging materials, labels and stickers from coffee maker.
- Clean the appliance by filling the water tank with clear cold water to the maximum level mark and turn the coffee maker on to allow the water to run through (without coffee).
- Leave it to cool down for 5 minutes before repeating the process. Brew hot water through the coffee maker at least 2 times before brewing with coffee.

Using the coffee maker

1. Take the glass carafe and the filter basket out of the appliance.
2. Raise lid of the water tank and pour the required amount of fresh cold water into the tank. The required number of cups - from 2 to 8 - is determined by referring to the scale on the water level indicator and make sure not over the max indicator. (Fig. ①)
3. Fold over the seamed edges of a # 4 paper filter and place it in the filter basket. Scoop the ground coffee into the paper filter. Recommendation would be one level scoop of coffee per cup or vary according to taste. (Fig. ②) This equates to approximately 7 to 9 grams of coffee per cup. Bonavita recommends using Melitta #4 paper filters.
4. Place the filter basket on the carafe (without lid) and put both back into the warm plate. (Fig. ③)
5. Switch the appliance on – the on/off switch lights up, showing that the machine is operating. (Fig. ④) Attention: Do not take out the carafe and filter basket while brewing cycle – risk of scald due to leaking hot steam!
6. After ending of the brewing process remove the carafe with brewed coffee and the filter basket from the appliance. Dispose of the used filter, rinse the filter basket out, and set aside to dry.
7. Snap in the carafe lid to help keep the coffee warm and and from spilling of carafe when pouring.
8. The appliance is equipped with a keep warm heater to maintain your coffee's temperature. This keep warm function will shut off after 1.5 hours or can be shut off by hitting the power switch at any point before this.

ILLUSTRATIONS



Bonavita recommends using #4 Melitta paper filters

CLEANING AND MAINTENANCE

Proper maintenance will ensure years of service of your appliance. Clean the appliance after every use. This appliance contains no user serviceable parts and requires little maintenance. Leave servicing or repairs to qualified personnel.

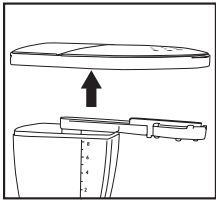
Always pull the plug out of the socket before cleaning!

- Filter basket , carafe lid and carafe can be cleaned in a dishwasher.
- Use a soft damp cloth and mild dish cleaning liquid for cleaning the housing and the carafe.
- Do not use wire-brushes or bottle-brushes.
- In case of tenacious dirt (lime, coffee residues) clean the carafe with weakened vinegar or lemon.
- Never stir the carafe content with a metal spoon. Do not put ice cubes or carbonated drinks in carafe. This will avoid damages to the carafe.

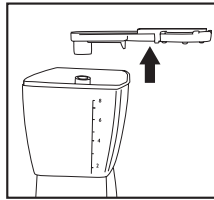
Cleaning the Lid and Shower Head:

The lid and shower head of the coffeemaker are removable and can be cleaned in the dishwasher.

CAUTION: Always unplug the coffeemaker before cleaning!



Step 1: Pull the lid from the water tank to remove it.



Step 2: Detach the shower head from the pipe to remove it.

REPLACEMENT PARTS

There may be instances when replacement parts are needed to keep using your coffee maker. These may be ordered from your original reseller. If they are not available, you can obtain replacement parts directly from Bonavita through our website www.bona-vita.biz

The filter basket, carafe, and carafe lid replacements parts are available for ordering on Bonavita website www.bona-vita.biz

DESCALING

In hard water areas, scaling from limestone content in the water may build up in your machine. Scaling can lead to extended preparation time and at worst, it may damage your coffeemaker.

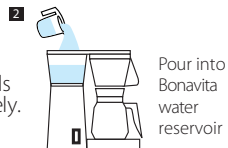
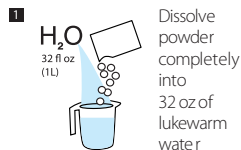
To ensure a long life and enjoyment with your coffee maker, please descale it regularly. This will ensure the perfect operation of your machine. We suggest that you descale after every 40 brew cycles. However, if the appliance shows uncommon loud noise or delays in brew time or water temperature, you may need to de-scale more often.

Bonavita recommend protect your brewer with Dezcal Descaling Powder.

USE DEZCAL WITH YOUR BONAVIDA MACHINE AS DIRECTED TO ENSURE GREAT TASTING COFFEE

- When mineral scale builds-up in the hot water tank of your Bonavita machine, it can clog water flow and affect the brew temperature and saturation time. If not descaled regularly, the brewer can stop working.
- Dezcal Descaler is designed to break down the lime scale and mineral build-up inside your brewer to ensure great coffee and consistent brewer functionality.
- Vinegar may not effectively descale your brewer and can be difficult to thoroughly rinse. Vinegar may also leave behind an odor that could affect future brews.
- Bonavita recommends descaling your brewer every 100 cycles or a minimum of every 3 months.
- This descaling product is designed to remove scale build-up. Cleancaf Cleaning Powder, another Urnex product, is designed to remove coffee oils from the brew basket, carafe, etc. Dezcal Descaling Powder is sold separately.

HOW TO USE



For use on Bonavita coffee machines with Thermal and Glass Carafes.

For information on the full portfolio of **Urnex coffee and espresso equipment cleaners**, please visit www.urnexathome.com

BREWING PERFECT COFFEE EVERYTIME

BREWING PERFECT COFFEE EVERYTIME

Thank you for purchasing a Bonavita coffee maker. This coffee maker has been designed to brew great tasting coffee at your desired strength. Add coffee and water and the coffee maker takes care of the rest!

Your Bonavita Coffee maker is engineered to:

- Achieve the correct water temperature for proper coffee extraction per coffee industry standard. (195-205°F)
- Provide the correct water contact time and turbulence with the coffee grounds.
- Disperse the water thoroughly via the showerhead to the coffee grounds in the filter basket to ensure full saturation.
- Allow for good tasting coffee whether brewing 2 cups on up to a full pot of coffee.
- Provide for easy clean up of the filter basket and carafe after brewing. No disassembly of the coffee maker is required as only the filter basket and carafe come into contact with coffee grounds or brewed coffee.

A PERFECT CUP OF COFFEE. EVERYTIME

1. **Time of Brewing** should be about 6 minutes for 8 cups of coffee. This allows for proper water flow and length of time through the coffee grounds.
 - ✓ 8 cups brewed in approximately 6 minutes. The 1400 watt heater of Bonavita coffee maker is the highest wattage of any household coffee maker available in North America.
2. **The temperature of the brewing water** should be between 195-205°F to properly extract coffee.
 - ✓ This Bonavita coffee maker heats the water to 195-205°F.
3. **The purity of the water** helps keep the coffee flavor intact.
 - ✓ Use fresh, filtered water when possible to ensure no aftertaste from the water.
4. The quality of the coffee has a great impact on the brewed coffee flavor. Higher grade beans, grinding the beans just before brewing and proper storage of the coffee are very important.
 - ✓ To get the most out of your gourmet brew coffee maker, find the right coffee beans for your taste. Coarsely grind the beans as close to brewing time as possible.
5. **The quantity of the coffee** plays a large part in the quality of the coffee flavor too. Too little and the coffee will be watery or light tasting. Too much coffee and the coffee could be bitter or too strong.
 - ✓ Bonavita coffee maker suggests to use 7 to 9 grams of coffee per 5 ounce cup.
6. **The cleanliness of the coffee maker** after regular, daily usage is key to a good cup of coffee.
 - ✓ Keep the filter basket, water tank, and carafe clean after each use to ensure the best coffee flavor from your Bonavita coffee maker.



TIPS

Recommended tips for this coffee maker and your coffee brewing:

- The ideal brewing for perfect coffee is to brew 8 cups of coffee. For ideal extraction levels, brew your coffee in 6-8 cup increments and fully enjoy the best coffee from this machine.
- For the freshest tasting coffee ,coarsely grind coffee beans as close to brewing as possible. On your bean grinder, use the drip , french press, or coarse setting. When purchasing pre-ground coffee, look for “ drip coffee maker” or coarse ground coffee. Beans ground too fine will slow down the brewing water and over extract the coffee.
- One key issue to reach grams per 5 ounce finished cup. Typically, standard drip coffee uses 5-6 grams of coffee per finished cup. The average coffee shop serves coffee using 7-9 grams of coffee. Use the amount of coffee that brews your preferred coffee flavor and strength.
- Filters are another critical component to gourmet coffee brewing. Paper filters allow less oils and sediment to pass through the beans as part of brewing process. Bonavita recommends using #4 Melitta filters.

LIMITED WARRANTY

2 year limited warranty from the date of original purchase.

1. This warranty extends only to the original consumer purchaser or gift recipient. Keep the original sales receipt, as proof of purchase is required to make a warranty claim.
2. Defects that occurred due to improper connection, improper handling, or repair attempts by non-authorized persons are not covered by the warranty. The same applies for failure to comply with the use of consumables.(e.g. cleaning and decalcifying agents or waterfilters) that do not correspond to the original specifications.
3. Routine parts and fragile parts like glass are excluded from the warranty.
4. The device was designed and built for Household use only. It is not dedicated for other use.
5. Damages which are not under responsibility of the manufacturer are not covered by the warranty.This is valid especially for claims arising from improper use(e.g. operation with wrong type of current or voltage) .
6. The guarantee becomes void if repairs are carried out by third parties which are not authorized by the manufacturer to do so and/or if spare parts are used other than the original ones.

To make a warranty claim, do not return this appliance to the store. Please visit www.bona-vita.biz or call 1-855-664-1252. For faster service, locate the model, type and series numbers on your appliance.